

**Columbus McKinnon®
Entertainment Division**

ProStar™

ProStar models are designed and built for the unique rigging applications encountered at smaller venues. Lightweight and portable, the **ProStar** features a dual braking system and overload protection for the hoist and operator. *Take the stage with ProStar.*

- **COMPACT PACKAGE** - Aluminum housing is strong and lightweight; measuring only 12½" in length.
- **SMOOTH OPERATOR** - Heat treated alloy steel load sheave for smooth, quiet lifting.
- **VERSATILE PERFORMER** - Models range in capacities from 300 lbs. to 1000 lbs. with 8 and 16 FPM lifting speeds.
- **RIG READY** - Featuring rigid top hook and swivel bottom hook.
- **CRANK UP THE VOLUME** - Voltages range from 115-1-60 to 460-3-50/60; and most voltages in-between.
- **TOUGH ACT TO FOLLOW** - Lifetime warranty against defective workmanship and materials.
- **LOCAL GIG** - Made in USA.



SPECIFICATIONS

ProStar 300 - 1000 Lbs.

Product Code	Capacity (Lbs.)	Voltage	Lifting Speed (FPM)	Number of Chains	Standard Lifts* (Ft.)	Motor H.P.	Approx. Shipping Wt. (Lbs.)
2049S	300	115-1-60	16	1	60	1/6	49
2041S†	300	220-1-50	16	1	60	1/6	49
2042S	300	230-1-50/60	16	1	60	1/6	49
2043S	300	380/415-3-50 440/460-3-60	16	1	60	1/6	49
2127S	500	230-3-50/60	16	1	60	1/6	49
2128S	500	380/415-3-50 440-460-3-60	16	1	60	1/6	49
2050S	600	115-1-60	8	2	60	1/6	67
2044S†	600	220-1-50	8	2	60	1/6	67
2045S	600	230-3-50/60	8	2	60	1/6	67
2046S	600	380/415-3-50 440/460-3-60	8	2	60	1/6	67
2129S	1000	230-3-50/60	8	2	60	1/6	67
2130S	1000	380/415-3-50 440/460-3-60	8	2	60	1/6	67

All models, contactor located in hoist body.

* Base model, longer or shorter lifts available.

† Hoists are 220-1-50 single phase only - not available 220-1-60.

300 - 1000 Lbs.

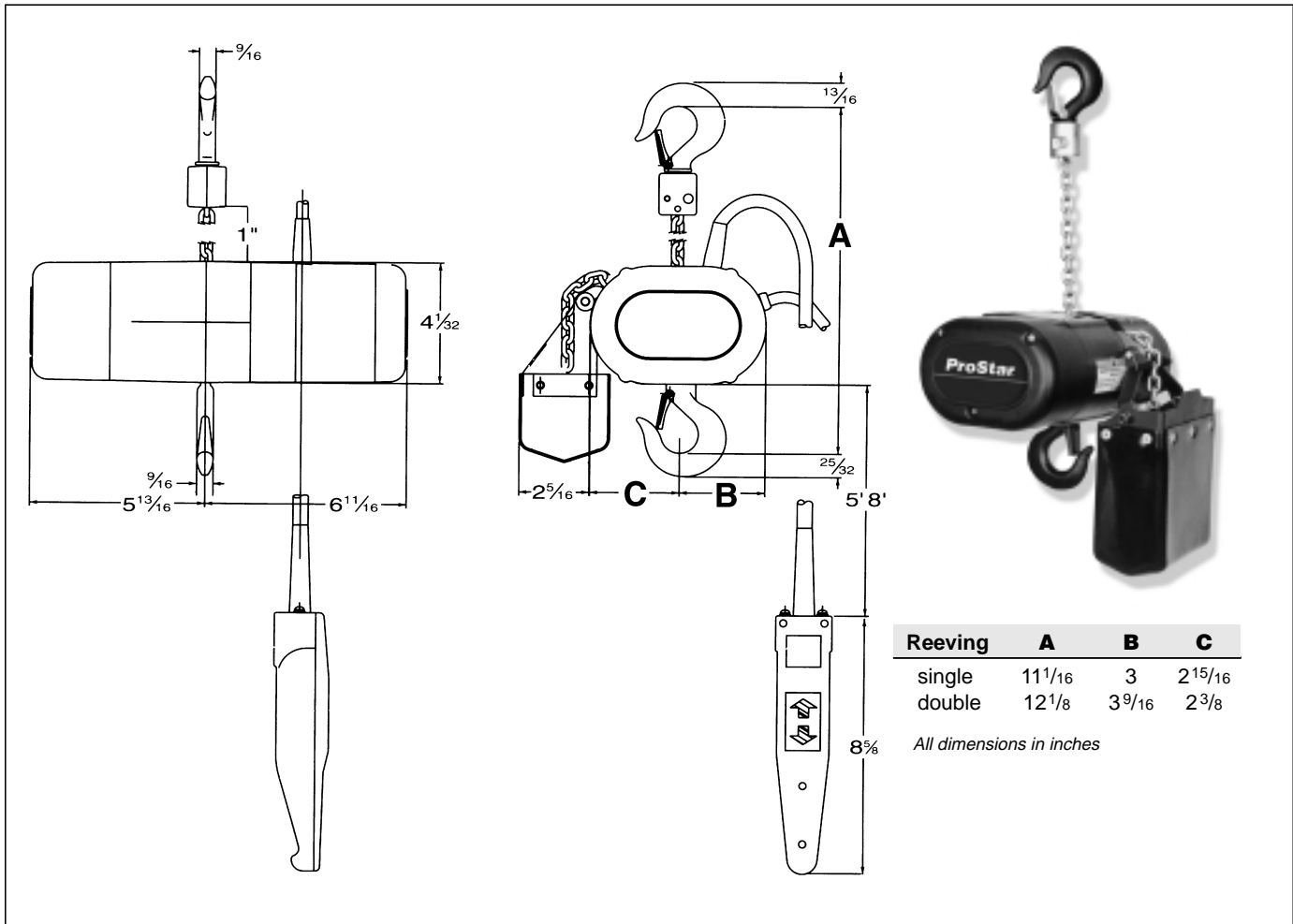
Made In USA

Chain Containers

Product Code	Max. Length of Lift		Shipping Wt. (Lb.)
	1-Chain Single (Ft.)	2-Chain Double (Ft.)	
2063	10	N/A	1
2064	20	10	1.5
2065	40	20	1.5
2066	80	40	1.5
2067	120	60	2.25

DIMENSIONAL DRAWING

ProStar 300 - 1000 Lbs.



⚠ WARNING

Overloading and Improper Use Can Result In Injury

To Avoid Injury:

- Do not exceed working load limit, load rating, or capacity.
- Do not use to lift people or loads over people.
- Use only alloy chain and attachments for overhead lifting.
- Read and follow all instructions.



Columbus McKinnon® Entertainment Division

140 John James Audubon Parkway
Amherst, New York 14228-1197 USA

Phone (800) 888-0985

Fax (800) 210-9480

e-mail entertainment@cmworks.com

www.cmworks.com